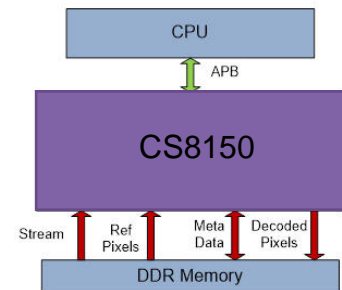
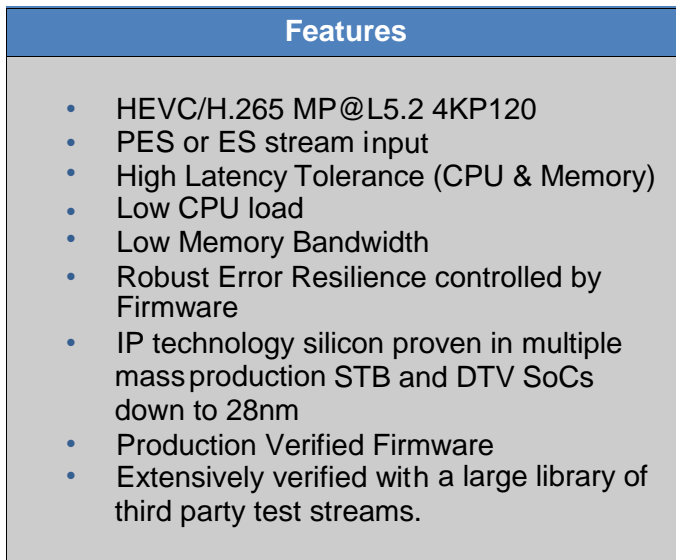




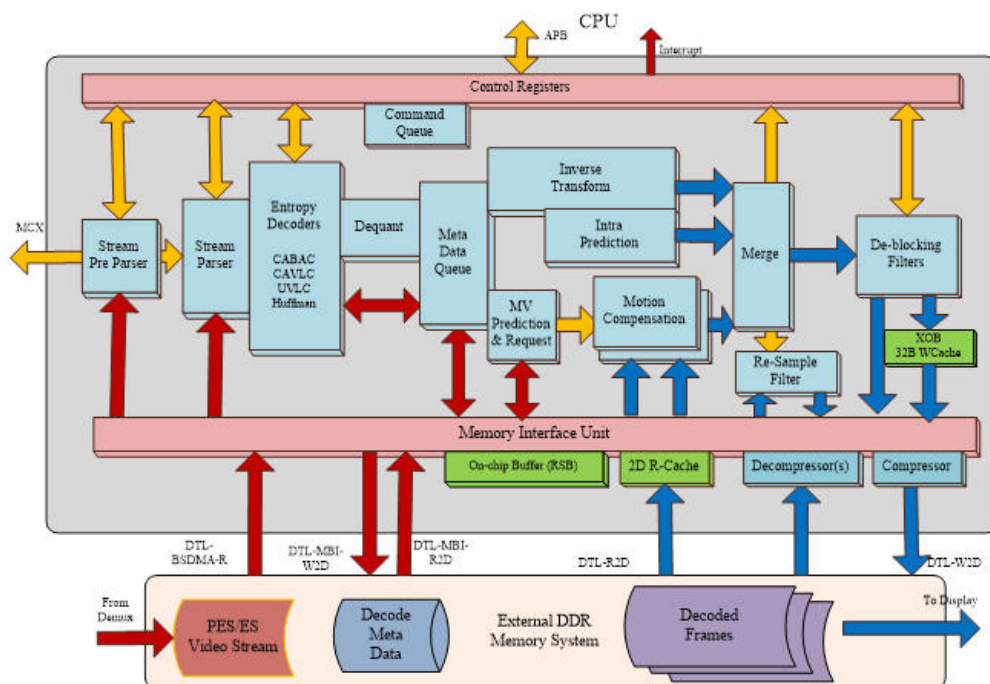
Production Proven – HEVC/H.265 4Kp120 – Video Decoder

- High frame rate video decoder
- Technology silicon proven in multiple STB and DTV chipsets
- Hardware decoder paired with a RISC controller to perform video decode



Operation

- CS8150 operates under direction of firmware
- Firmware pre-decodes headers and banks configuration commands
- Low CPU load allows CPU to run other hardware blocks in the system



CS8150 Block Diagram

Deliverables

- Bit accurate C models
- Verilog RTL and production firmware
- Synthesis scripts
- Self-checking test environment
- Datasheet and user manual



+44 28 95 609 600



info@amphionsemi.com



www.amphionsemi.com