



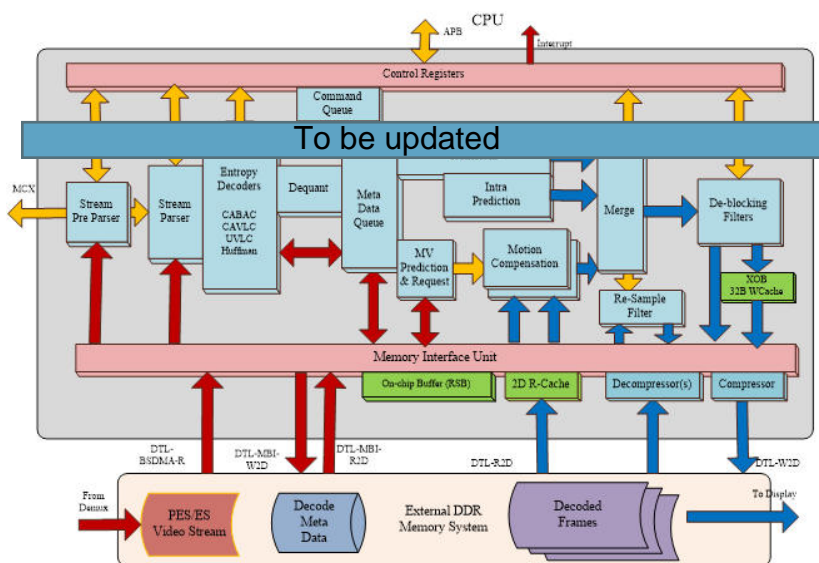
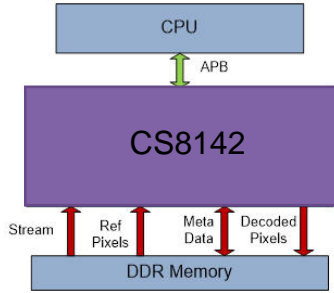
Multi-Format, Multi-Stream – UHD/4K – Video Decoder

- Mature, multi-format, multi-stream video decoder
- Silicon proven technology in multiple STB and DTV chipsets
- Hardware decoder paired with a RISC controller to perform video decode
- Decodes AV1, HEVC & VP9 to 4Kp60 as well as 12 other video formats

Formats Supported	Features
<ul style="list-style-type: none"> • AV1 4Kp60 • VP9 Profile 0 & 2 4Kp60 • HEVC/H.265 MP@L5.1 (4KP60) • H.264 AVC CBP,MP,HP up to L4.2 • H.264 MVC 1080p30 each eye • MPEG-2 MP @ HL • MPEG 4.2 SP & ASP • MP4 (DivX3, Sorenson, H263) • VC1/WM9 SP, MP & AP • VP6, VP8 • RV8, RV9, RV10 • China AVS 1, AVS P16 • JPEG & MJPEG up to 150MP/s 	<ul style="list-style-type: none"> • Multi-stream & Multi-format • PES or ES stream input • High Latency Tolerance (CPU & Memory) • Low CPU load • Low Memory Bandwidth • Robust Error Resilience controlled by Firmware • Mature IP family silicon proven in multiple mass production STB and DTV SoCs down to 28nm • Production Verified Firmware • Extensively verified with a large library of third party test streams.

Operation

- CS8142 operates under direction of firmware
- Firmware pre-decodes headers and banks configuration commands
- Low CPU load allows CPU to run other hardware blocks in the system
- For multi-stream decoding, switching between streams occurs at frame boundaries



CS8142 Block Diagram

Deliverables

- Bit accurate C models
- Verilog RTL and production firmware
- Synthesis scripts
- Self-checking test environment
- Datasheet and user manual

+44 28 95 609 600
 info@amphionsemi.com
 www.amphionsemi.com